

Due to its special kinematics the MOTOMAN VS50 can have a closer approach to the workpieces and also allows for high-density layouts with multiple robots, contributing to space savings. The cables are integrated into the robot arm, which enables the robot to move freely without cable bundles being in the way and eliminates the interference between robots. Due to its slim body, the VS50 enables a system installation in confined spaces. Thus, more compact and faster working in extremely cramped spaces is possible which significantly increases the productivity and saves valuable production foot print. The VS50 can ideally be used for spot welding, handling, assembly and handling of work pieces that have several hard-to-reach points. For machine tending operations the robot can be placed beside or inside the machine, leaving valuable floor space free for operators.



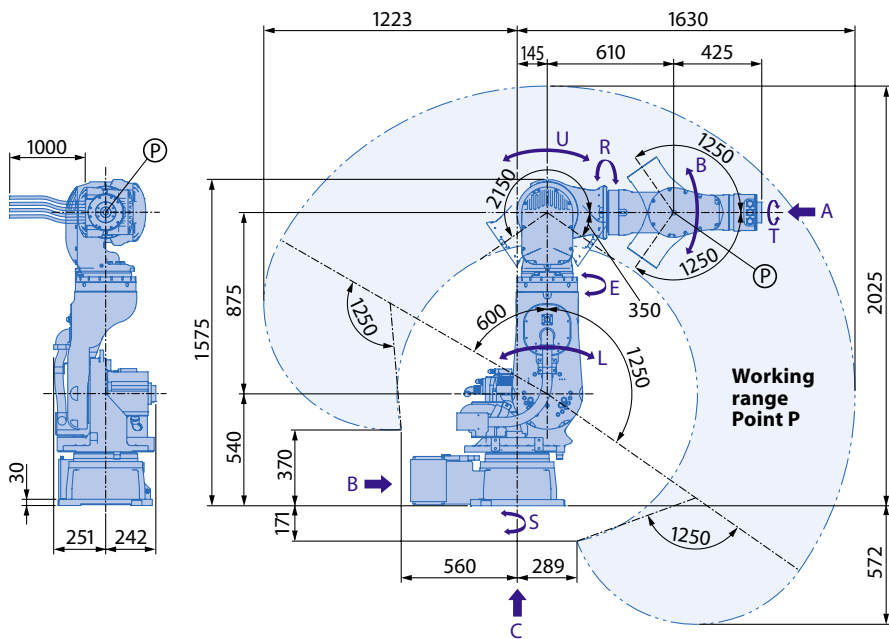
Key benefits

- Controlled axes: 7
- Max. payload of 50 kg
- Repeatability of $\pm 0,1$ mm
- Max. working range of 1,630 mm
- Ideally adapted for applications such as spot welding, handling and assembly
- The 7-axis-design allows the robot a new dimension of free moving space
- Extra compact spot welding gun possible
- Use in the tightest of spaces possible
- Less interference with other workpieces and robots by built-in welding cables and hoses into the robot completely

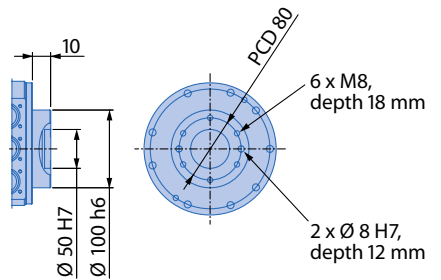
MOTOMAN VS50

Spot welding, general purpose and handling

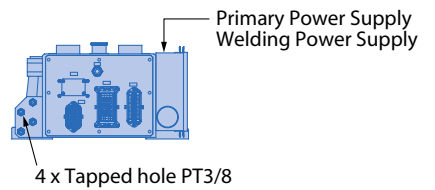
 **YASKAWA**



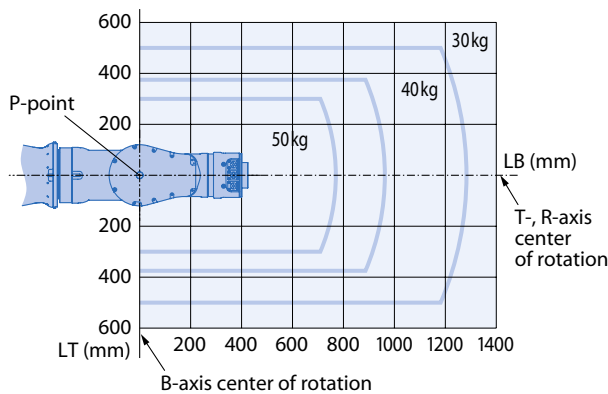
View A



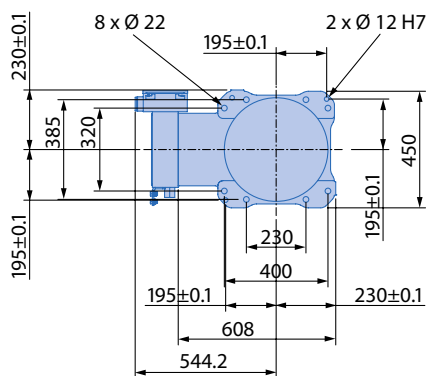
View B



Allowable wrist load



View C



Mounting option: Floor



All dimensions in mm | Technical data may be subject to change without previous notice | Please request detailed drawings at robotics@yaskawa.eu.com – YR-VS50, E-07-2012, A-No. 150294

Specifications VS50

Axes	Maximum motion range [°]	Maximum speed [°/sec.]	Allowable moment [Nm]	Allowable moment of inertia [kg · m ²]		
S	±180	170	-	-	Controlled axes	7
L	+125/-60	130	-	-	Max. payload [kg]	50
E	±170	130	-	-	Repeat. pos. accuracy [mm]	±0,1
U	+215/-35	130	-	-	Max. working range [mm]	R = 1630
R	±170	130	377	29.6	Temperature [°C]	0 to +45
B	±125	130	377	29.6	Humidity [%]	20 – 80
T	±180	200	147	12.5	Weight [kg]	640
					Power supply, average [KVA]	8.7



Headquarters Robotics Division

YASKAWA Europe GmbH
Yaskawastraße 1
D-85391 Allershausen
Tel. 0049-81 66-90-0
Fax 0049-81 66-90-103
robotics@yaskawa.eu.com
www.yaskawa.eu.com

YASKAWA Academy and sales office Frankfurt

YASKAWA Europe GmbH
Robotics Division
Hauptstraße 185
D-65760 Eschborn
Tel. 0049-61 96-777 25-0
Fax 0049-61 96-777 25-39
robotics@yaskawa.eu.com
www.yaskawa.eu.com